



300 Series
Post Driven Ground Mount
Sold in Sections

Part SLR-GRD308:
5 panels per section
(60/72 Cell Panels)

Part SLR-GRDADD308:
Add-on section assembly

FEATURES & BENEFITS

- Modular with quick assembly
- Starting section assembly includes 2 posts, 2 trusses, 2 rails and hardware
- Add-on section assembly includes: 1 posts, 1 trusses, 2 rails and hardware
- Galvanized rails and post | Electroplated powder coated truss (Aquence 930 Coating)
- Ideal for commercial and utility-scale installations
- Rugged, Weather Resistant Designs
- 10-year guarantee against mechanical failure (breakage) of the frame construction
- Cost effective, economical and a fast ROI
- Quick scalability
- Truss adjustable 10 - 40° as needed
- Minimal hardware = Non labor intensive

300 Series Post Driven Ground Mount Sold in Sections

Part SLR-GRD308:
5 panels per section
(60/72 Cell Panels)

Part SLR-GRDADD308:
Add-on section assembly



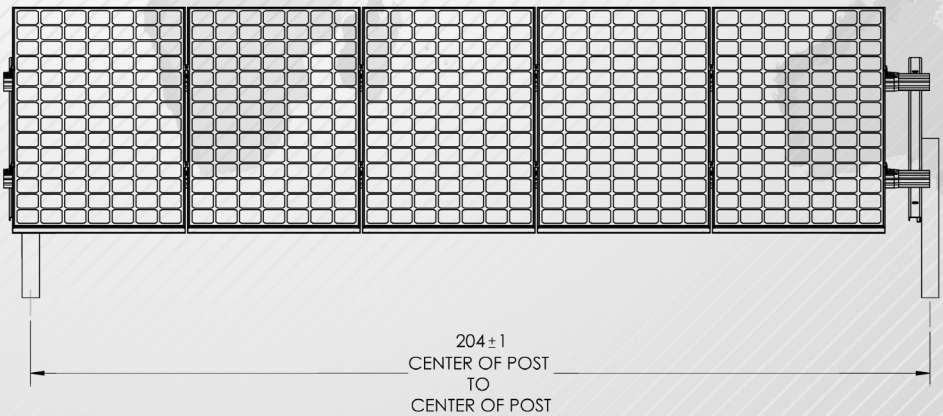
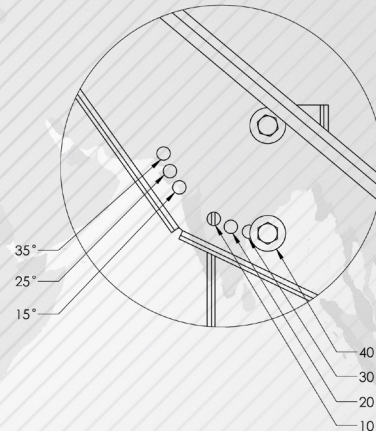
GROUND MOUNT



Mechanical Data	SLR-GRD308
Rail Length (in)	209"
Mountable Surface (in)	202"
Minimum Ground Clearance (in/cm)	In FAQs
Tilt Angle	10 - 40° as needed
Maximum Wind Load - Standard	100 mph (160.9 kph)
Quantity of Modules (60/72 Cell Panels)	5* Panels
Module Orientation	Portrait
Mounting Area (does not include panel overhang)	55 ft ²
Shipping Weight w/o panels (lbs)	240 lbs (160 lbs for each additional add-on section w/o panels)

All specifications subject to change without notice.

Post Foundation Options:
I Beam
Helical Pile
Concrete Pier
Screw Piles



Base + Add-On	1 Section	5 Sections	10 Sections	25 Sections	50 Sections	100 Sections
Starter Section	1	1	1	1	1	1
# of Add-on Sections	0	4	9	24	49	99

Steel Grade Post
80,000 PSI
Minimum Yield Strength

Base Package:
SLR-GRD308

Base Package:
SLR-GRD308
+ (4) Add-On's:
SLR-GRDADD308

Base Package:
SLR-GRD308
+ (9) Add-On's:
SLR-GRDADD308

Base Package:
SLR-GRD308
+ (24) Add-On's:
SLR-GRDADD308

Base Package:
SLR-GRD308
+ (49) Add-On's:
SLR-GRDADD308

Base Package:
SLR-GRD308
+ (99) Add-On's:
SLR-GRDADD308

- Base Package:
SLR-GRD308
- 8' Posts - 2 pcs
 - Trusses - 2 pcs
 - Rails - 2 pcs
 - Complete Hardware
- Add-On:
• **SLR-GRDADD308**
- 8' Post - 1 pc
 - Truss - 1 pc
 - Rails - 2 pcs
 - Complete Hardware

***Ten (10) years against mechanical failure of the frame construction**

